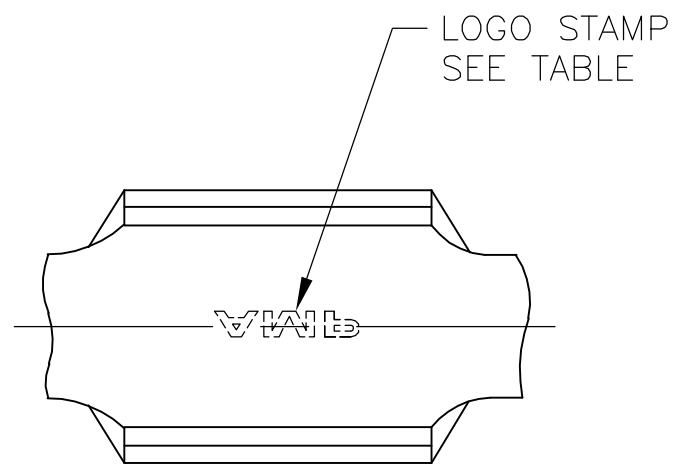
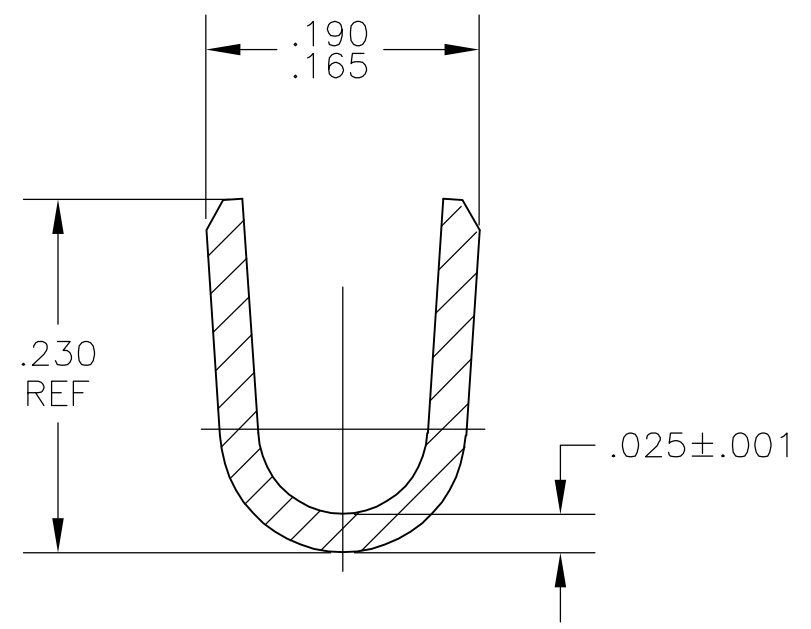
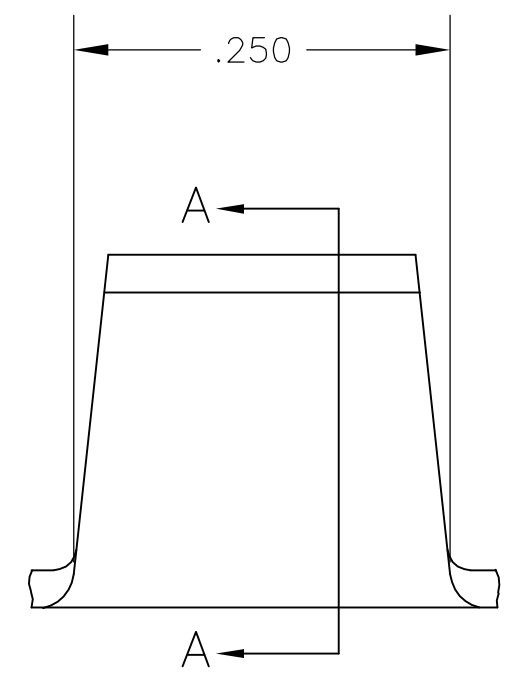


THIS DRAWING IS UNPUBLISHED. RELEASED FOR PUBLICATION
 © COPYRIGHT BY TYCO ELECTRONICS CORPORATION. ALL RIGHTS RESERVED.

LOC	DIST	REVISIONS					
		P	LTR	DESCRIPTION	DATE	DWN	APVD
AF	50		C1	ECR-07-006113(REDRAWN IN AUTOCAD)	19JAN07	HMR	GP



- 1 CONTINUOUS STRIP ON REELS.
- 2 WIRE RANGE: 4,000 TO 10,000 CMA



SECTION A-A

	NO AMP STAMP	41627-1
OBSOLETE	AMP STAMP	41627
	LOGO STAMP	PART NO

THIS DRAWING IS A CONTROLLED DOCUMENT.		DWN RAGHAVENDRA 19JAN07	Tyco Electronics Corporation Harrisburg, Pa 17105-3608	
DIMENSIONS: INCHES		CHK G.D.PORTA 19JAN07		
TOLERANCES UNLESS OTHERWISE SPECIFIED:		APVD G.D.PORTA 19JAN07	NAME	
0 PLC ± - 1 PLC ± - 2 PLC ± - 3 PLC ± .010 4 PLC ± - ANGLES ± -		PRODUCT SPEC	SPLICE	
MATERIAL STAINLESS STEEL ANNEALED		FINISH NONE	APPLICATION SPEC	RESTRICTED TO
		WEIGHT -	SIZE A3	CAGE CODE 00779
		CUSTOMER DRAWING	DRAWING NO C-41627	RESTRICTED TO -
			SCALE 8:1	SHEET 1 OF 1
				REV C1